

IRIS

All Digital , DALI based, Intelligent Integrated Room Control



She's smart, full featured, scales from cubicles to assembly halls, and operates stand-alone or networked. She sees 3-6 times better than conventional sensors, hears with cell phone sensitivity, and communicates with standard building wire that can be run free or inside power conduits.

She's fully code compliant of course but also equipped with Starfield's patented suite of energy measures that can deliver a whopping **71% energy savings in occupied space**.

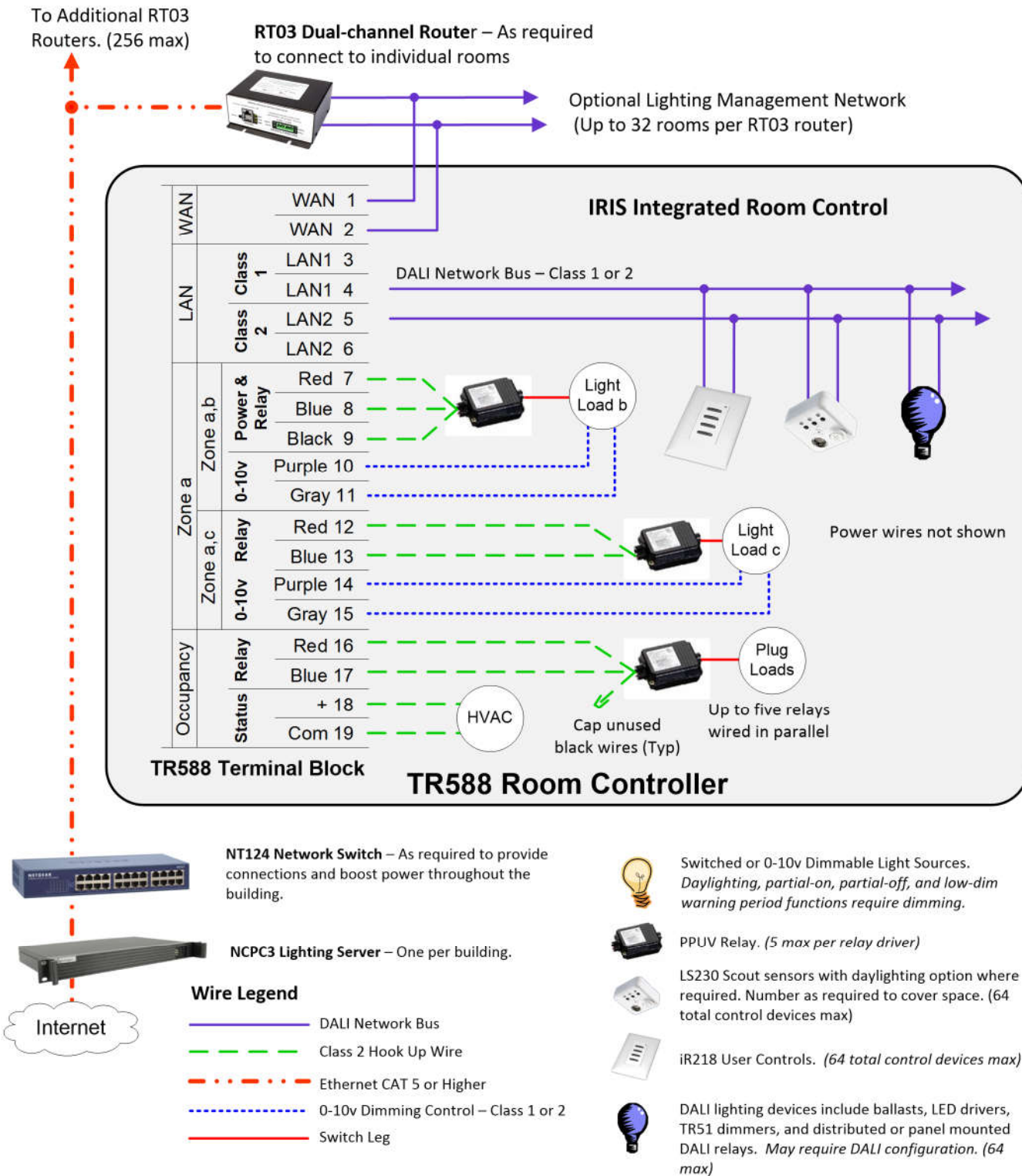
And what about setup and configuration? **IRIS** knows how to take care of herself there as well. Need to add or remove sensors? **IRIS** adapts. Time to recalibrate and tighten up setpoints? Simply adjust the lights. Rooms with multiple daylight zones? No problem.

It's all the same to **IRIS** and all automatic.



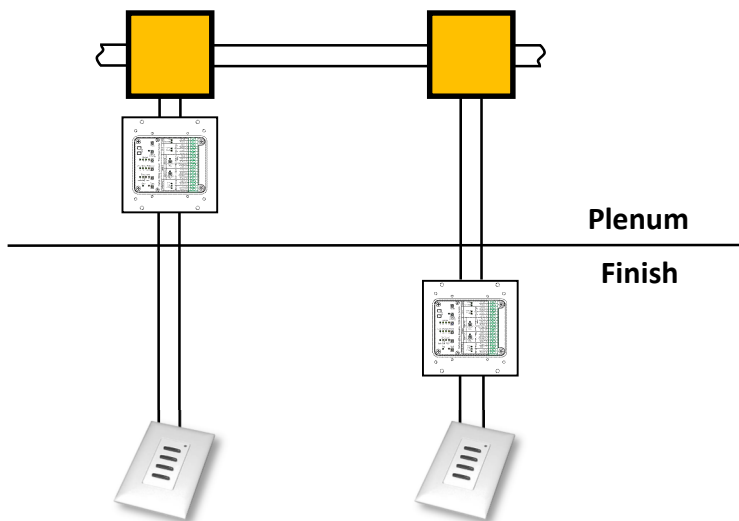
IRIS DALI

IRIS DALI retains the power and flexibility of a networked system but with the inherent simplicity of room level installation and operation.



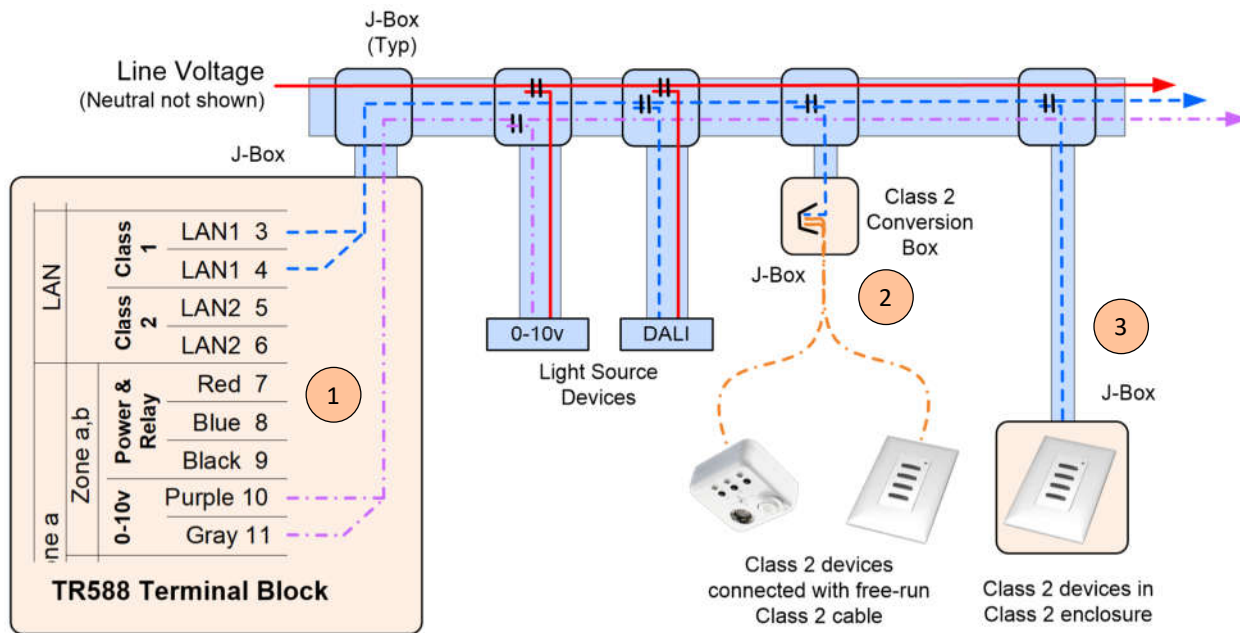
IRIS MOUNTING

IRIS TR588 room control panels mount in plenum or finish space near a room's primary entrance. Chose plenums for concealed mounting with limited access or finish space for quick access and easier room operation.



IRIS WIRING

IRIS low voltage DALI compliant control wiring is non-polarized, free-topology, and runs free or inside power conduit using standard building wire and connectors.



1. NEC article 300 allows Class 2 low voltage wire to be run in power conduit as Class 1 as long as Class 1 wire size requirements are meant and wire insulation value is equal to or greater than the associated power wires. Check local codes and NEC for specifics.

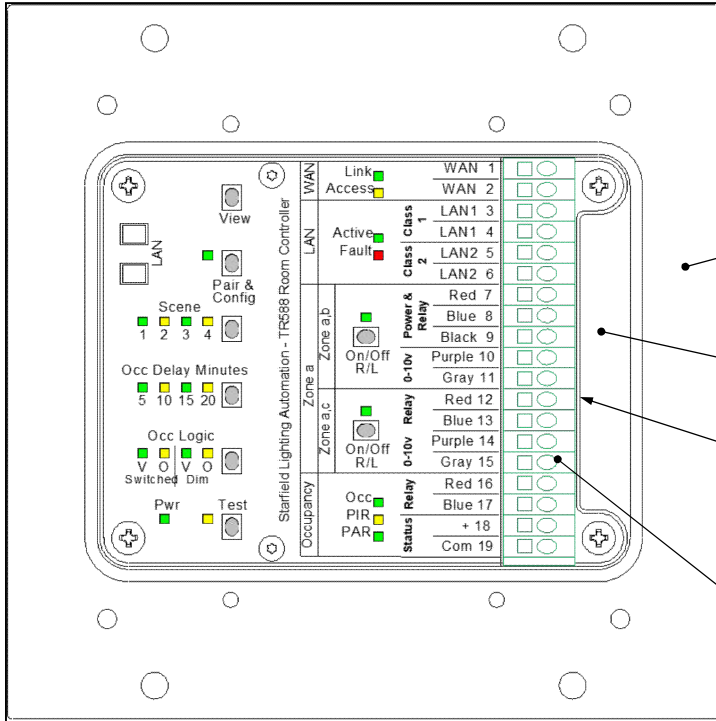
2. Class 1 control wire can be converted back to Class 2 cable as long as the conversion takes place in a dedicated electrical box where high voltage power wires are not present. Check local codes and NEC for specifics.

3. Low voltage Class 1 control wires inside a Class 1 wireway may be run directly to a Class 2 enclosure or converted to Class 2 cable and run free.

IRIS ROOM CONTROL PANEL

The IRIS TR588 room control panel is located near the primary entrance and mounts inside a NEMA 11B electrical box in plenum or finish space.

INSTALLATION PROCEDURE



TR588 Mounted in Support Yoke

1. Mounting Box - NEMA 4-11/16" deep electrical box located in finish or plenum space.

2. Rough-in - Connect conduit and pull wires/cables to the mounting box.

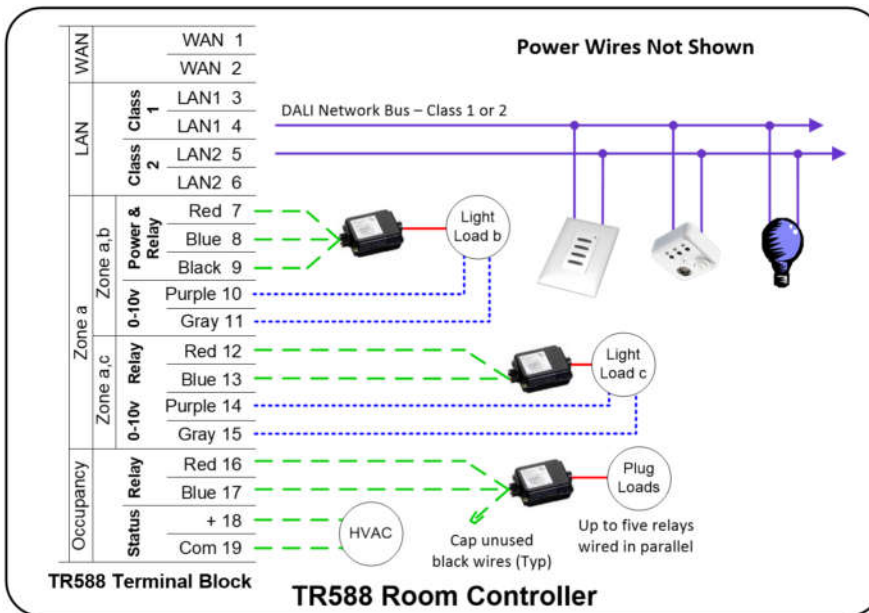
3. Yoke - Remove controller and attach yoke to mounting box using provided #8 flat head screws. For finish space attach a 1/2" mud ring.

4. Rough-in Conductors - Pull conductors into 11B box and through yoke.

5. Install Controller - For finish space first install the provided 1/2" spacers. Slide controller into yoke and attach with provided #6 screws.

6. Attach Conductors - Terminate conductors to spring cage terminal block for 16-22ga solid or stranded wire (**one wire per terminal**) then push slack wire back into mounting box.

IRIS CONTROL PANEL WIRING



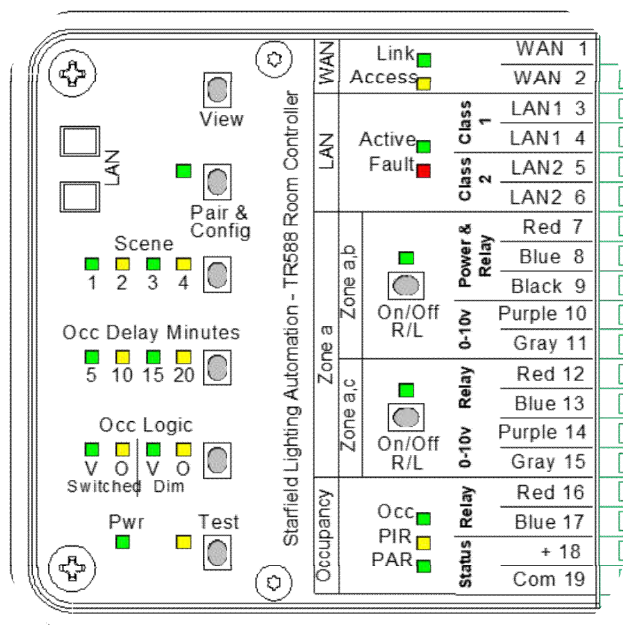
The IRIS TR588 control panel has connections for two switched or 0-10v channels, Class 1 and 2 LAN control bus, HVAC and Plug-load, and option WAN.



DALI ACCESSORIES

Any DALI compliant device can be connected to the control bus including ballasts, relays, relay panels, LED drivers, DALI to 0-10v converters, touch panels, remote controls, etc.

IRIS CONTROL PANEL OPERATION



One of the biggest challenges of digital lighting control is visualization.

Back in the good old days, lighting control seemed simple and it was. One zone, one switch. Easy. Those days are gone but the need for quick and intuitive installation, troubleshooting, and operation are not.

IRIS addresses these needs by first reducing operation to a single room and then by providing a consistent, reliable interface for working with and troubleshooting the system.

BUTTON OPERATION

View – Tap to activate indicator lights for 60 minutes.

Pair – Tap to activate control pairing and button configuration for 30 minutes.

Scene – Scene selection and capture. Tap to select a scene number and then hold 10s to capture the current light level settings to that scene number. **Note** - All scenes are treated as On commands. Off scenes can be used but controls and sensors will still evaluate the scene as on On command.

Occ Delay - Tap to select one of the four occupancy delay periods.

Occ Logic – Tap to select switched (Sw) or dimming (Dim) vacancy (V) or occupancy (O) logic. The switched selection turns lights off during the grace period while dimming lowers the lights to their minimum level.

Test - Tap to temporarily reduce the occupancy delay time to 1 minute.

On/Off, R/L - Tap to alternately turn zone On/Off and hold down to alternatively Raise/Lower.

INDICATOR LIGHT OPERATION

Access - Illuminates when the TR588 WAN connection is activated and flashes each time data passes through the bridge.

Active - Illuminates when the IRIS LAN (Local Area Network) bus is powered and blinks communication traffic is detected.

Fault - Illuminates when the LAN Bus voltage is too low and blinks each time communication traffic is detected

Link - Illuminates when the TR588 WAN (Wide Area Network) is powered and flashes each time any WAN traffic is detected.

Occ - Illuminates when the room is occupied

Occ Delay - Indicates the selected occupancy delay setting.

Occ Logic - Indicates the selected occupancy logic.

Pair - Illuminates when control pairing and button configuration is enabled.

PAR - Flashes each time a PAR event report is detected.

PIR - Flashes each time a PIR event report is detected.

Power – Illuminates when the TR588 is energized.

Scenes - Indicated the selected scene number.

Test - Illuminates when the 1 minute occupancy test period is active.

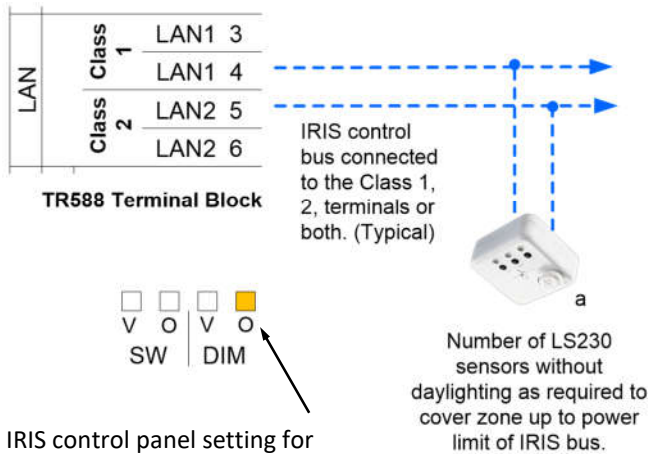
Zone a,b - Illuminates when zone a or b is on.

Zone a,c - Illuminates when zone a or c is on.

IRIS ROOM CONTROL BUS

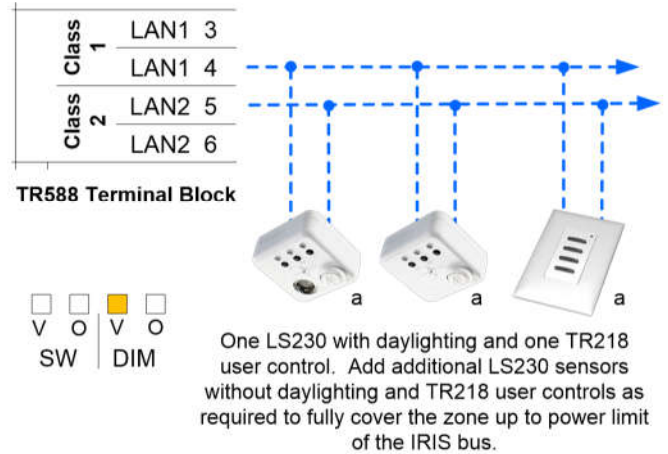
The IRIS 2-wire network control bus works with the Starfield DALI compliant sensors, user controls, and 3rd party DALI accessories to create full function room control of virtually any size and complexity.

Single Zone with Occupancy Logic



IRIS control panel setting for Occupancy logic and dimmable luminaries.

Single Zone with Vacancy Logic & Daylighting



IRIS FULL BUILDING NETWORK

After installing and operating rooms independently, individual room may be networked for the power, convenience, and economy of full building management and control.

